



QUICK GUIDE AT



1



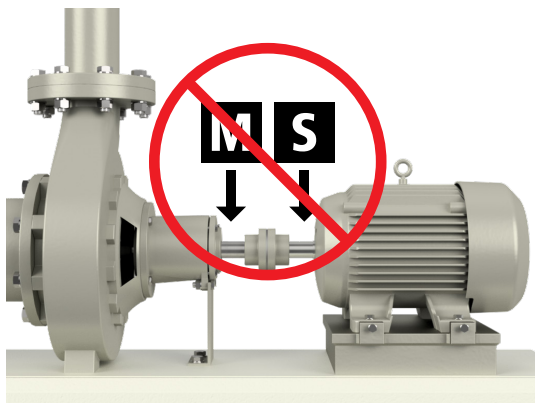
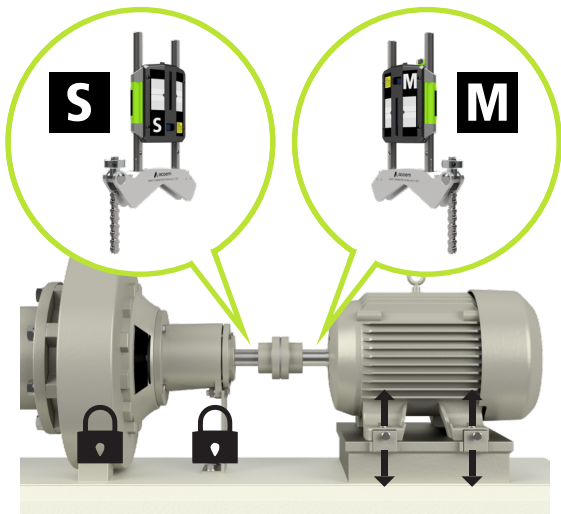
2



Horizontal Shaft Alignment



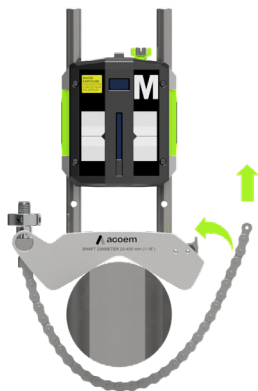
3



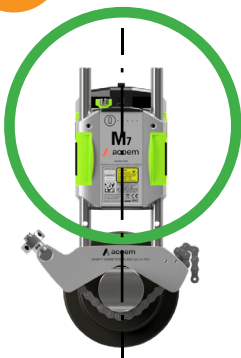
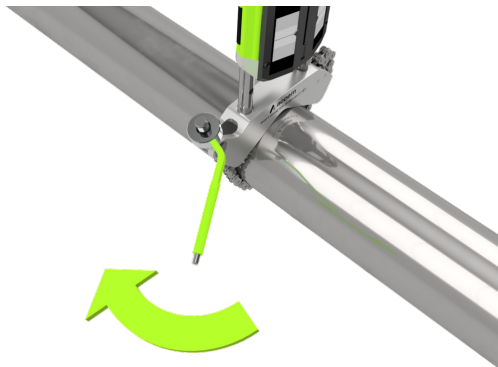
4



5



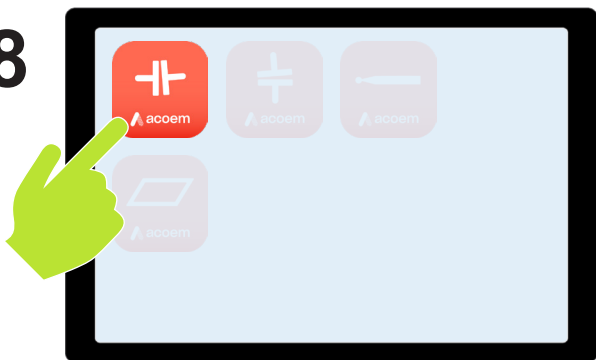
6



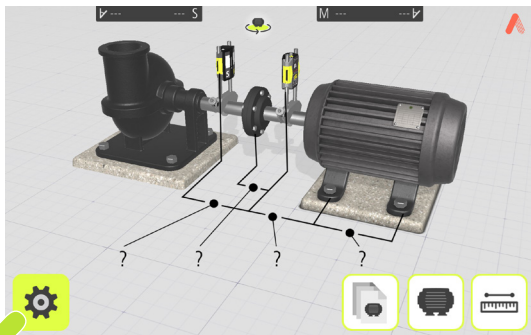
7



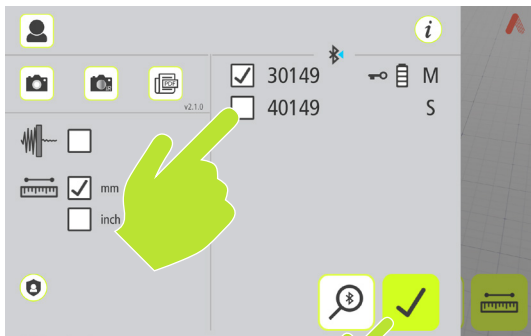
8



9



10



11
M7
S7



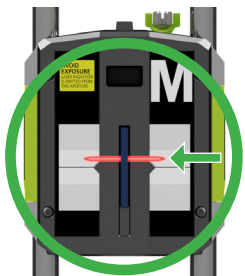
1



2



3



/ 11

M9

S9



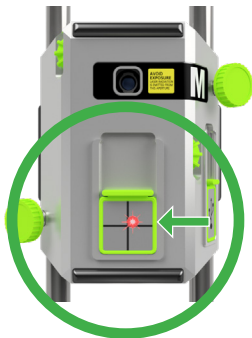
1



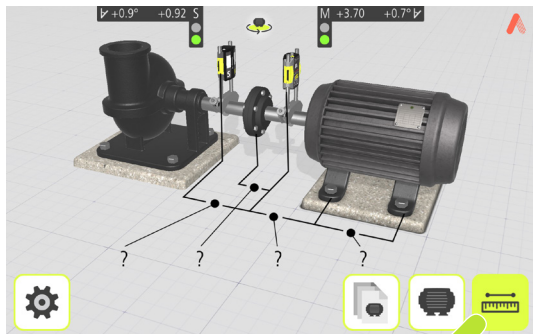
2



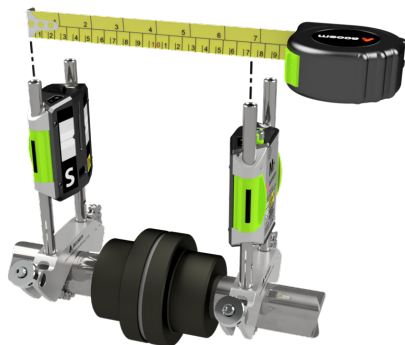
3

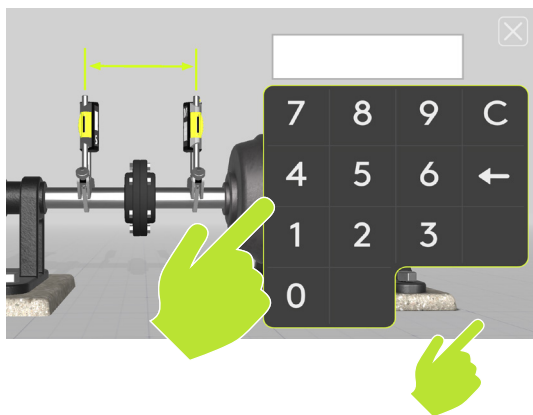


12

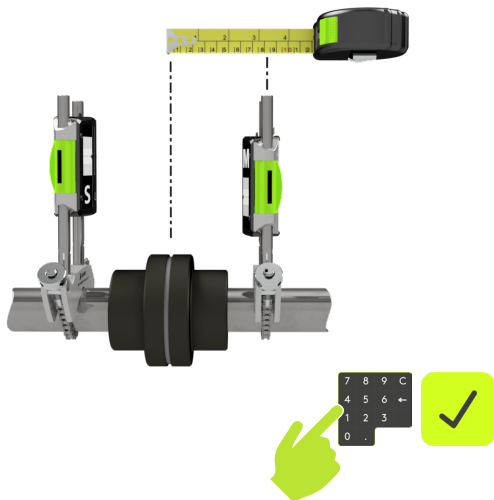


13

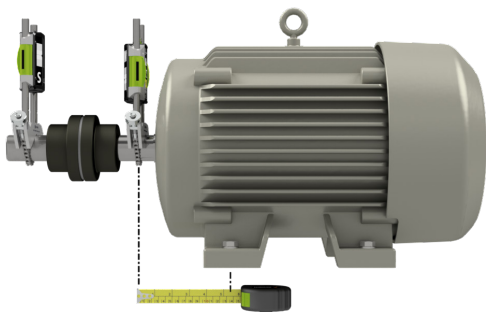




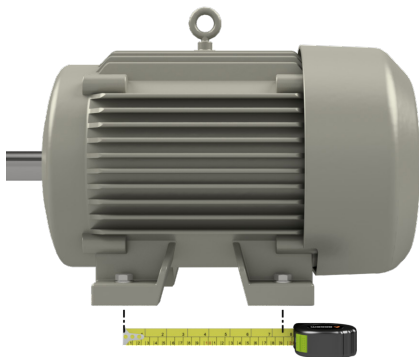
14



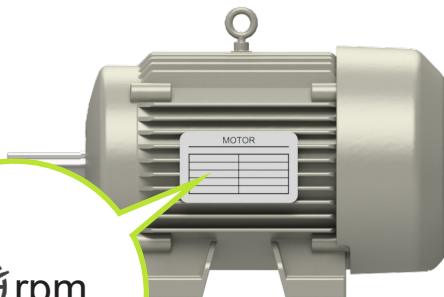
15





16



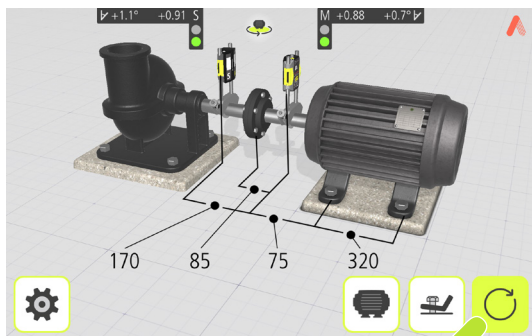
17

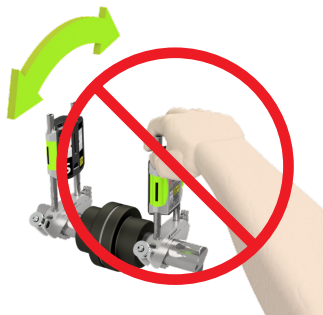
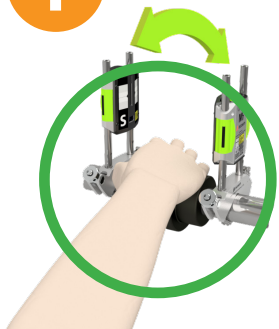


| | rpm | \pm mm/100 | \pm mm |
|-------------------------------------|-----------|--------------|----------|
| <input type="checkbox"/> | 0-2000 | 0.08 | 0.10 |
| <input checked="" type="checkbox"/> | 2000-3000 | 0.07 | 0.07 |
| <input type="checkbox"/> | 3000-4000 | 0.06 | 0.05 |
| <input type="checkbox"/> | 4000-6000 | 0.05 | 0.03 |

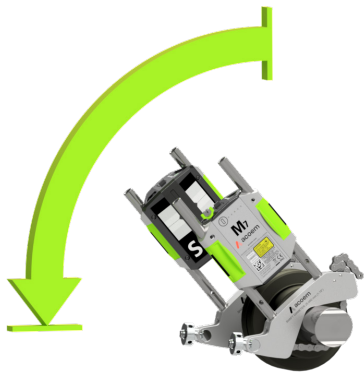
 

18

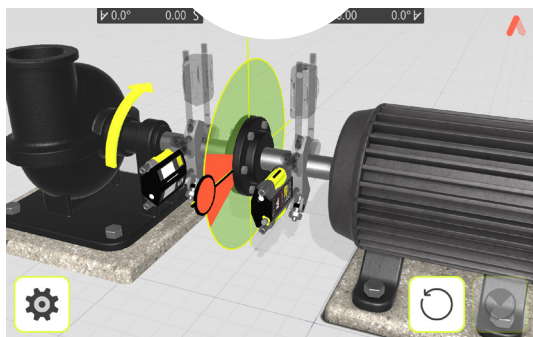
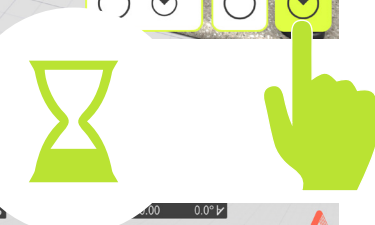
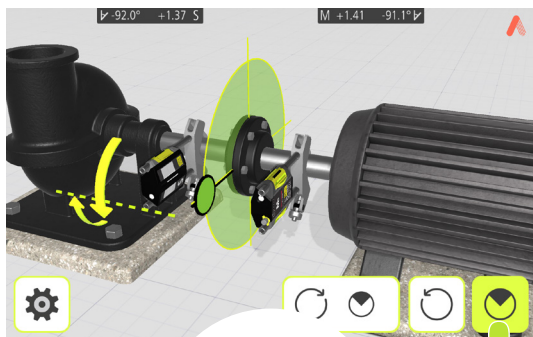




19



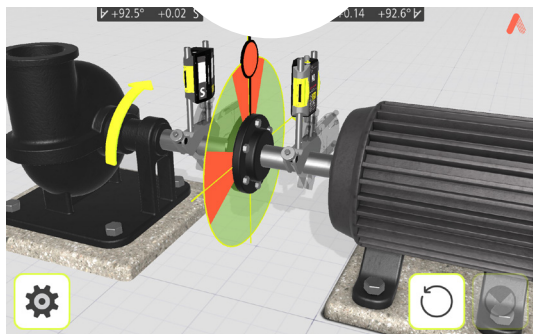
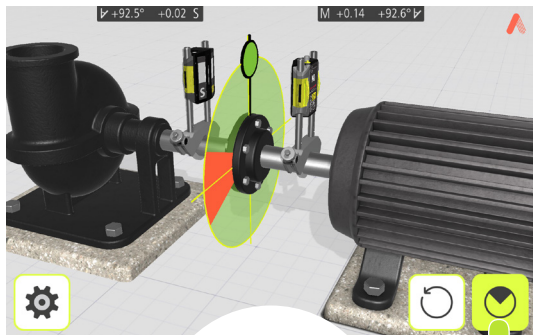
20



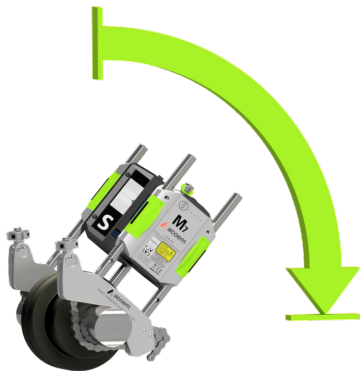
21



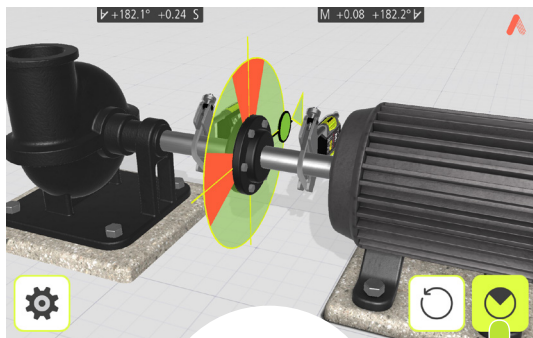
22



23



24



25

The screenshot displays two pump configurations. The top configuration shows a pump with a flow rate of $+0.17/100$ and a pressure of $+0.07$. The bottom configuration shows a pump with a flow rate of $-0.08/100$ and a pressure of -0.14 . The top configuration also includes a pressure of $+0.35$ and $+0.89$. The bottom configuration includes a pressure of -0.26 and -0.51 . A toolbar at the bottom contains icons for settings, PDF export, a motor, a refresh button, a download button (highlighted by a green hand), and a share button.

26

The screenshot shows the same pump configuration as in step 25, with a flow rate of $+0.17/100$ and a pressure of $+0.07$. A keyboard overlay is visible, with a green hand pointing to the keyboard. The keyboard includes a checkmark icon in the bottom right corner, which is also pointed to by a green hand. The keyboard layout includes letters q through p on the top row, a through l on the second row, and z through m on the third row. A language bar at the bottom indicates "English".

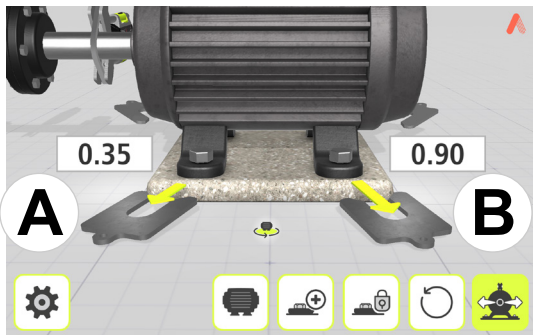
27



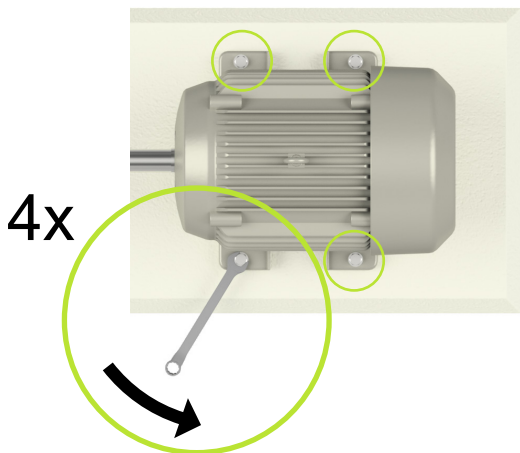
→ 28



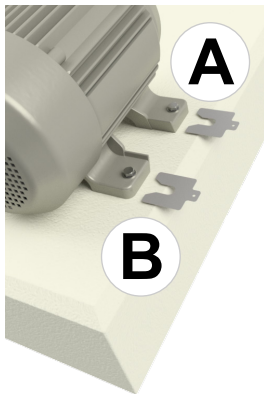
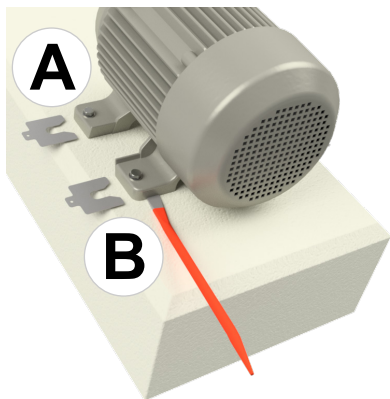
28



29



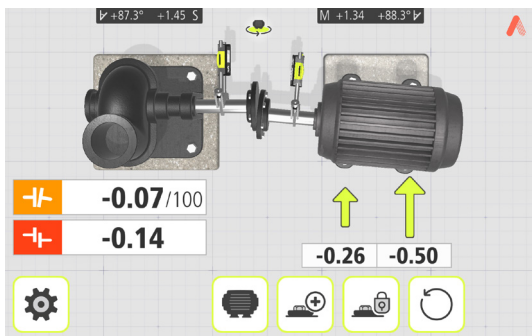
30



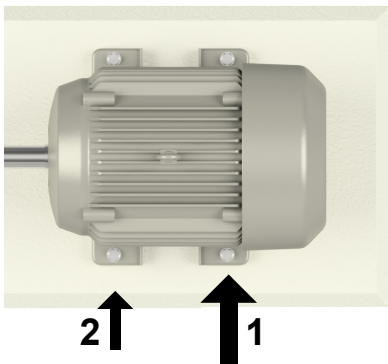
31



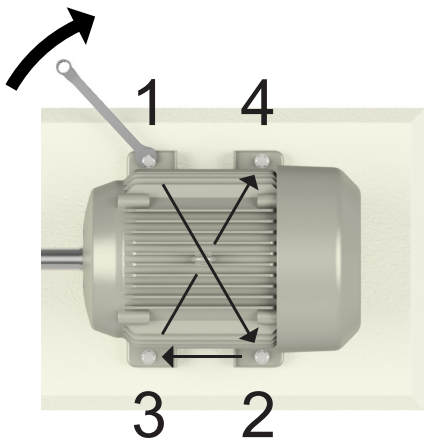
32



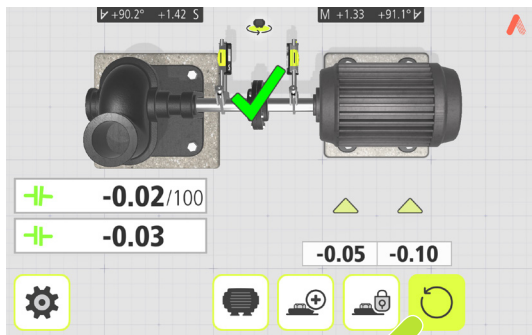
33



34



35



36 ↩ **18 - 27**



www.fixturlaser.com/downloads/manuals



www.youtube.com/user/FIXTURLASER



ACOEM SWEDEN

Box 7, SE - 431 21 Mölndal, SWEDEN

Tel: +46 31 706 28 00 - info.se@acoem.com

fixturlaser.com / acoem.com